



⚠️ WARNING No representation or warranty is given that your particular application of these products complies with relevant building codes. Consult with professionals and local building officials before beginning work: (i) to ensure compliance with relevant building codes for your application; (ii) to identify appropriate safety gear used during installation; (iii) to ensure that the work area is free from utilities, services and hazards; and (iv) to clarify any instructions or warnings that may not be clear. Work in a safe manner wearing protective gear such as gloves, eyewear, headwear, footwear and clothing. When using tools comply with operation manuals and instructions. Inspect and maintain these products on a regular basis.

Neither Peak Products Pty Limited nor Peak Products Corporation shall be liable for any loss or damage resulting from the improper installation or improper use of this product, subject to any contrary provision of the Australian Consumer Law in Australia or the Consumer Guarantees Act in New Zealand. Peak products and associated materials are protected by patents, designs, copyrights and/or trademarks.

Tools and Materials Needed

- Drill
- 7 mm Spanner
- 4 mm Drill bit for metal
- 6 mm Drill bit for metal
- 3 mm Hex key
- Phillips #2 driver bit
- Metal cutting saw
- Spirit level
- Measuring tape
- String line
- Concrete anchoring hardware (if mounting to concrete)
- Pegs (if securing free-standing bases to soft ground)

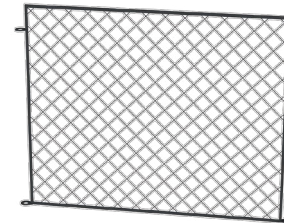
SHEFFIELD



BIRMINGHAM



NEWCASTLE



KENSINGTON

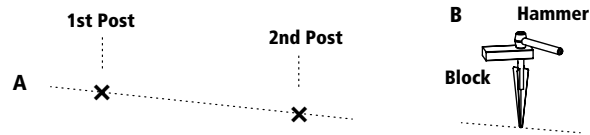


Panel

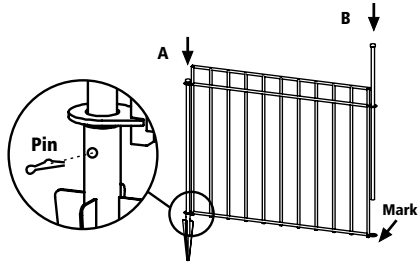


Easy installation using POST SPIKES

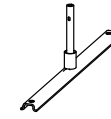
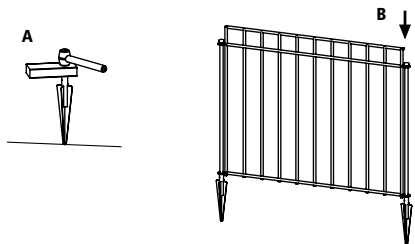
- 1** **A.** Measure and mark the position of all posts. Determine where you will start the installation (typically an end, corner or gate).
B. Position the first spike and hammer it into the ground until the top of the blades are flush with the surface. Position a post in the spike to ensure it is plumb.



- 2** **A.** Insert the first post through the fence panel tabs and down into the spike. Then secure with pin (provided).
B. Insert the second post through the fence panel tabs and press it into the soil to mark the second spike location.



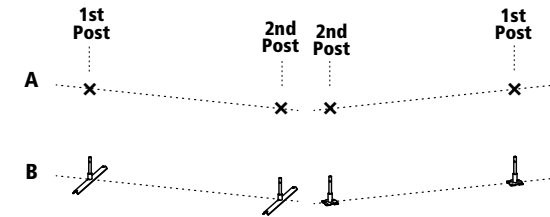
- 3** **A.** Hammer the second spike into the ground at the marked location.
B. Insert the second post through the fence panel tabs and down into the spike. Then secure with pin (provided).



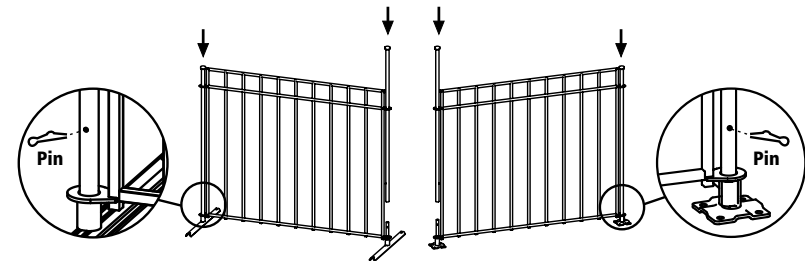
Easy installation using FREE-STANDING or FLANGE post bases



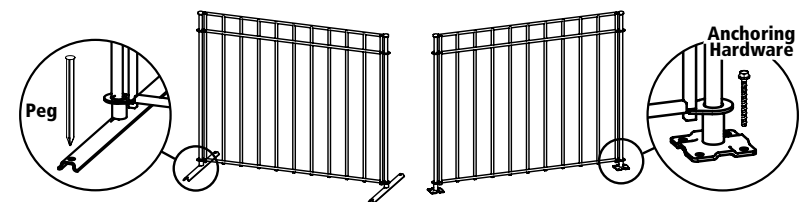
- 1** **A.** Measure and mark the position of all posts. Determine where you will start the installation (typically an end, corner or gate).
B. Position the first and second post bases. Do not secure them to the ground yet.



- 2** Insert the posts through the fence panel tabs and down into the post bases. Then secure with pins (provided).



- 3** **A.** Repeat steps 1 and 2 for remaining sections.
B. Secure post bases to the ground (anchoring hardware not provided).

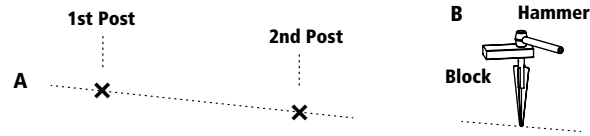


Gate

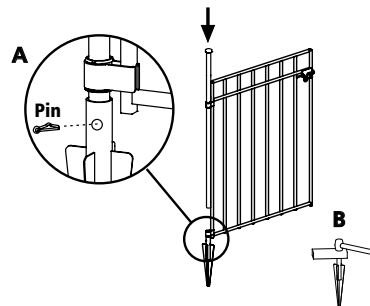


Easy installation using POST SPIKES

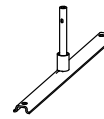
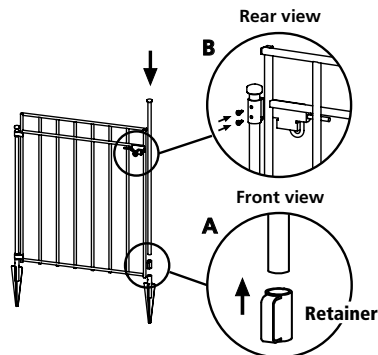
- 1** A. Measure and mark the position of all posts. Determine where you will start the installation (typically an end, corner or gate).
B. Position the first spike and hammer it into the ground until the top of the blades are flush with the surface. Position a post in the spike to ensure it is plumb.



- 2** A. Insert the hinge-side post through the gate hinges and down into the spike. Then secure with pin (provided).
B. Determine the placement for the second spike and hammer it into the ground.



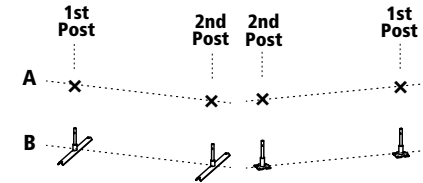
- 3** A. Slide retainer onto second post and insert post down into the spike.
B. Position retainer to align with latch, then drill two 4 mm pilot holes through side of the post. Fasten retainer to post using two screws (provided).



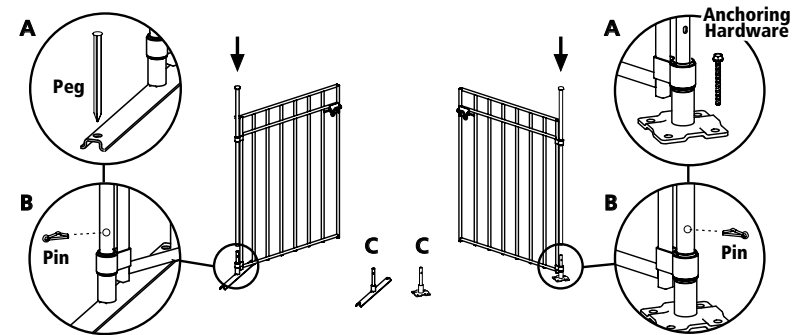
Easy installation using FREE-STANDING or FLANGE post bases



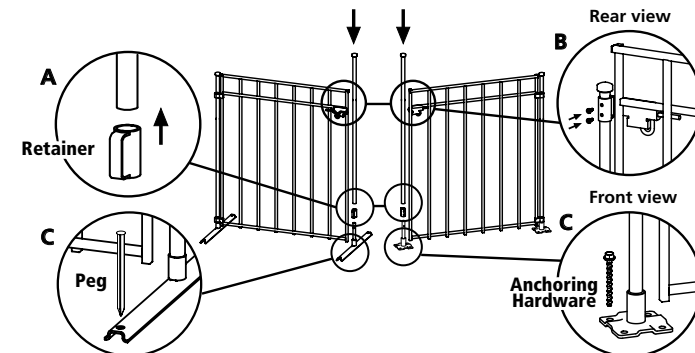
- 1** A. Measure and mark the position of all posts. Determine where you will start the installation (typically an end, corner or gate).
B. Position the first and second post bases. Do not secure them to the ground yet.



- 2** A. Secure the hinge-side post base to the ground with anchoring hardware (not provided).
B. Insert the hinge-side post through the gate hinges and down into the post base. Then secure with pin (provided).
C. Position the second post base, but don't secure it yet.



- 3** A. Slide retainer onto second post and insert post down into post base. Then secure with pin (provided).
B. Position retainer to align with latch, then drill two 4 mm pilot holes through side of the post. Fasten retainer to post using two screws (provided).
C. Secure second post base to ground (anchoring hardware not included).

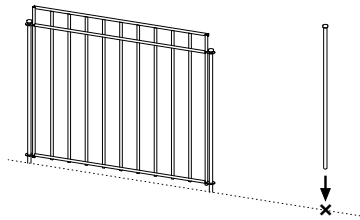


Custom Panel Widths

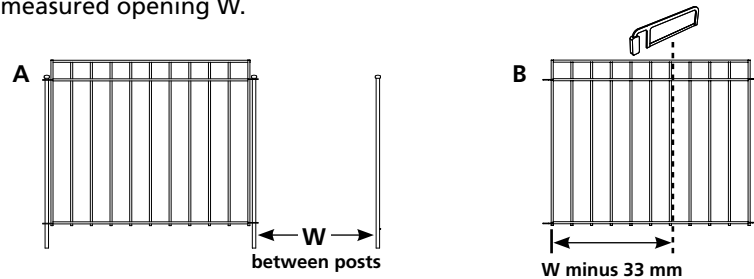
Cutting panels and installing with cut panel brackets

⚠ Cut Panel Brackets are compatible only with *SHEFFIELD*, *BIRMINGHAM* and *KENSINGTON* panels. Do NOT cut *NEWCASTLE* panels.

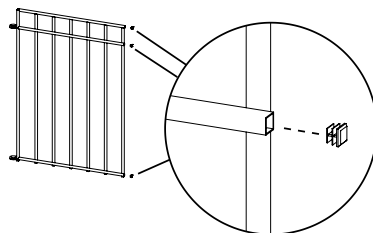
1 Once most of the fence is assembled and you reach a section requiring a custom width, determine the position of the end post. Position the end post but do not secure it to the ground yet.



2 **A.** Measure the distance W between the second last post and the end post (measure at the bottom of the posts).
B. Orienting the panel facing the same way as the rest of the fence, then cut the rails of the panel to a length 33 mm shorter than the measured opening W .

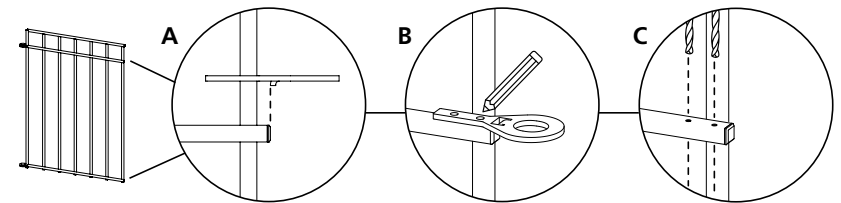


3 Apply anti-rust paint or coating to the cut surfaces. Once dry, install plastic caps (provided) into the cut ends.

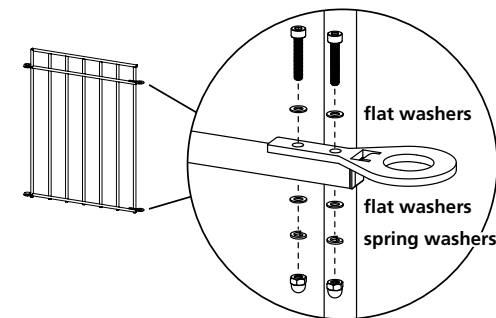


4 **A.** Position cut panel bracket on the end of the horizontal rails with the metal tab on the bracket touching the cap in the end of the rail.
B. Mark the two hole positions on the rail for each bracket.
C. Drill 6 mm holes through top and bottom faces of both marked rails.

⚠ For *BIRMINGHAM* panels (shown), position bracket on the bottom rail and the **second-from-top rail**. For *SHEFFIELD* and *KENSINGTON* panels, position bracket on the bottom rail and **top-rail**.



5 Secure brackets to panels using two bolts (provided) using a 3 mm hex key and 7 mm spanner.



6 Follow the PANEL installation instructions to complete the project.

