

# PEAK® Gate Kit

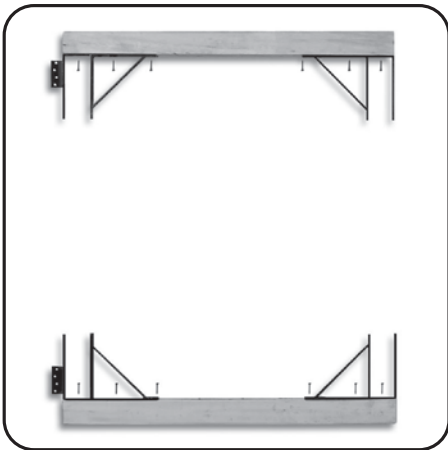
Build a sturdy gate in minutes!

## Simple 1-2-3 Installation

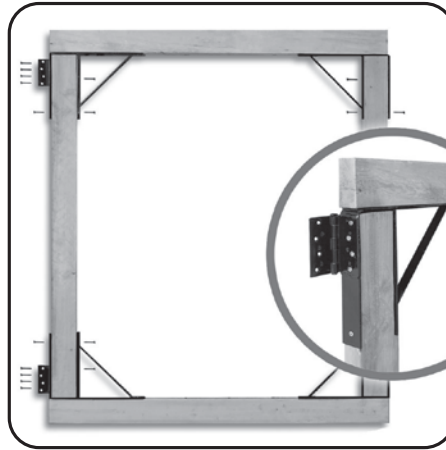
**⚠ CAUTION** Before beginning work, read and follow DETAILED instructions from below or from [www.peakproducts.com.au](http://www.peakproducts.com.au) or from [www.peakproducts.co.nz](http://www.peakproducts.co.nz). Building codes may vary. Always understand and comply with your local building codes.

### Tools and materials required

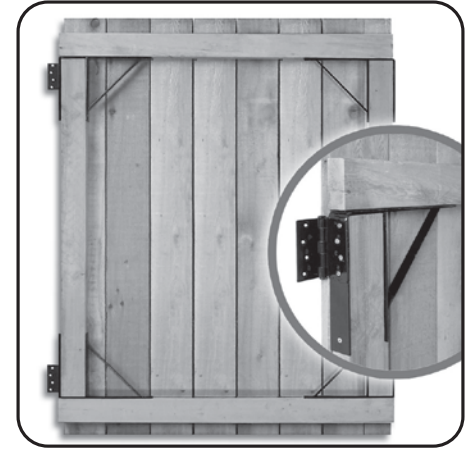
- Mitre saw
- Drill
- SQ2 driver bit
- Measuring tape
- Level
- Square
- Timber for frame: 90 mm x 45 mm
- Fence palings: 12mm\* thick timber and fastening screws  
\*maximum recommended



**1** Measure width of gate opening and cut two 90 mm x 45 mm horizontal members 25 mm shorter than opening. Attach to brackets with supplied screws.



**2** Cut two 90 mm x 45 mm vertical members to desired height and attach to brackets with supplied screws.



**3** Attach palings to correct side of gate frame according to desired swing direction (screws for palings not included). Attach gate hinges to fence post with supplied screws.

**⚠ WARNING** No representation or warranty is given that your particular application of these products complies with relevant building codes. Consult with professionals and local building officials before beginning work: (i) to ensure compliance with relevant building codes for your application; (ii) to identify appropriate safety gear used during installation; (iii) to ensure that the work area is free from utilities, services and hazards; and (iv) to clarify any instructions or warnings that may not be clear. Work in a safe manner wearing protective gear such as gloves, eyewear, headwear, footwear and clothing. When using tools comply with operation manuals and instructions. Inspect and maintain these products on a regular basis.

Peak Products Corporation shall not be liable for any loss or damage resulting from the improper installation or improper use of this product, subject to any contrary provision of the Australian Consumer Law in Australia or the Consumer Guarantees Act 1993 (NZ) in New Zealand.

Peak products and associated materials are protected by patents, designs, copyrights and/or trademarks.